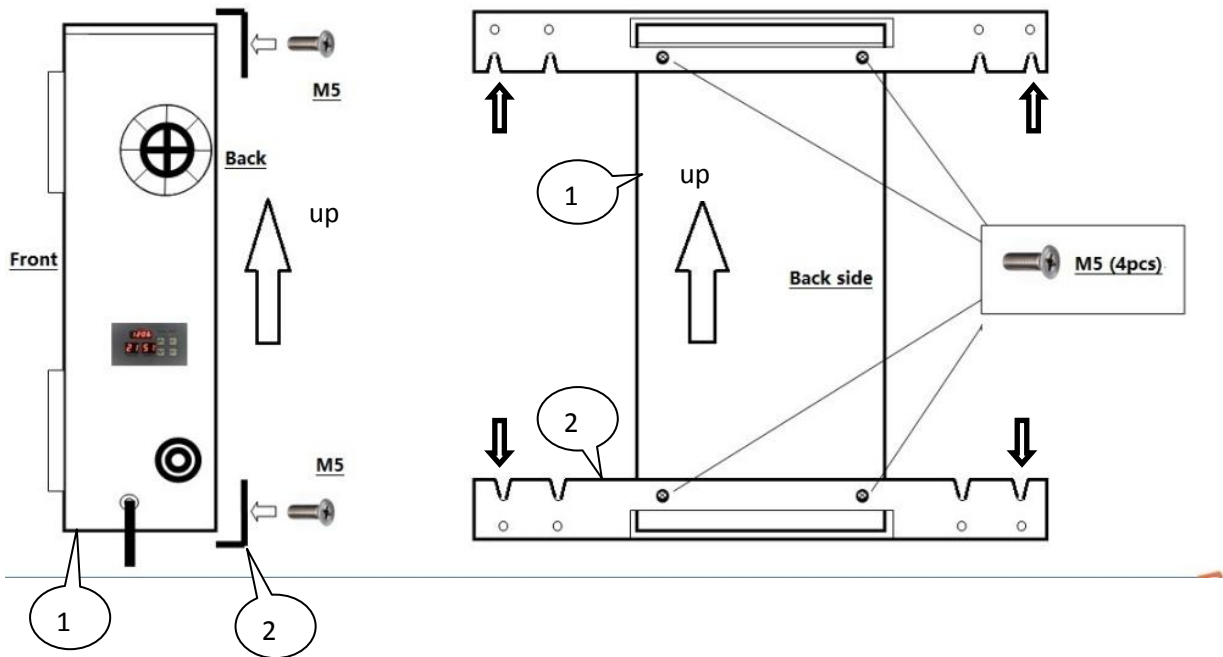


Installation instructions, (DHG100, in Garage install only)



Before your install a Canfresh system, Safety first !!

				
<u>Safety goggles</u>	<u>Protection boots</u>	<u>Working gloves</u>	Philips screwdrivers	Stud-finder

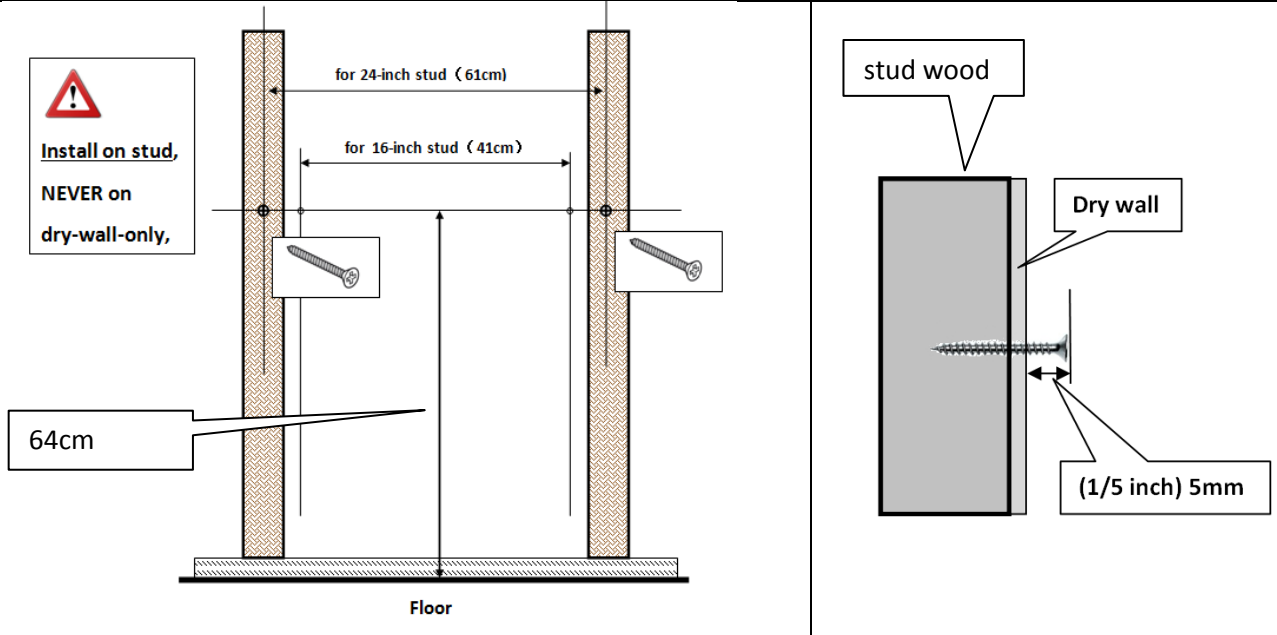
A, install mounting kits (2) onto DHG100 (1), as follows:



- 1, DHG100
- 2, mounting kits

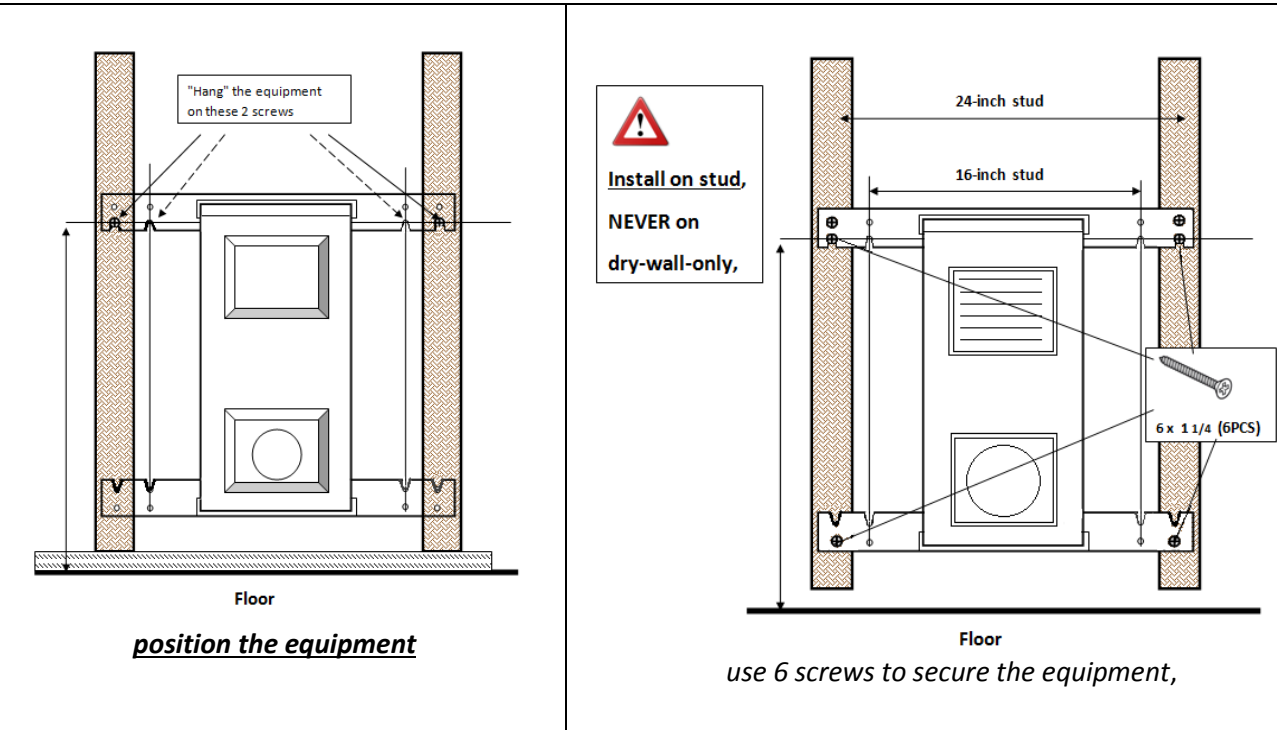
3, Please notice the directions of **the openings**,  and 

B, Install first two screws on studs--never install on dry wall only.

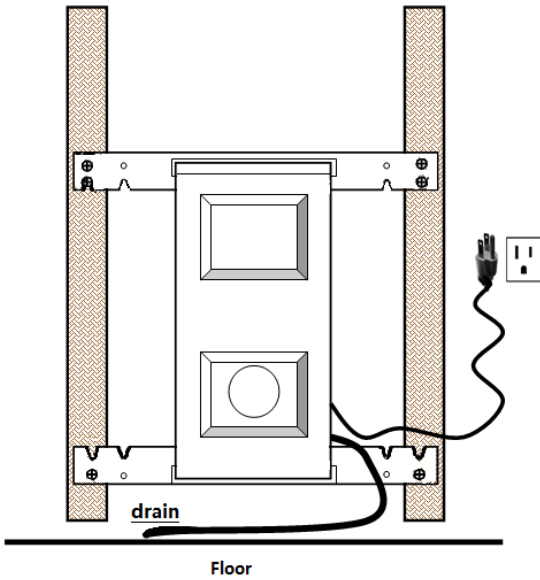


- 1, use a stud-finder to location studs' positions,
- 2, drive the first two screws into studs, leaving about 5mm gap to "HANG" the equipment as shown,
- 3, **secure these two screws after positioning the equipment,**
- 4, make sure the screws are driven through dry wall (if there is dry wall) and firmly **fixed on the studs.**

C, Firmly secure equipment with 6 screws on studs:



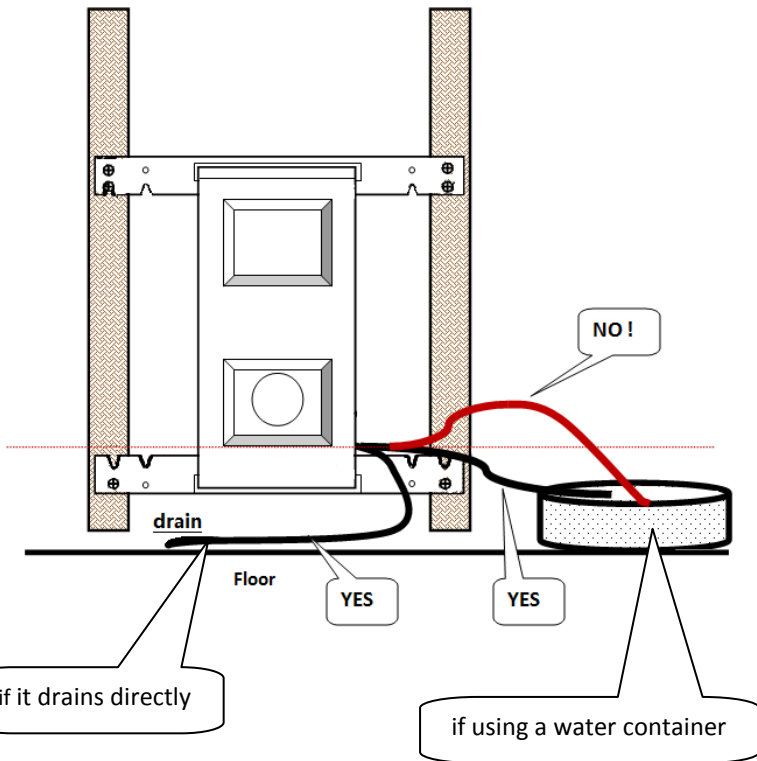
D, Position the drainage tube and plug in the power cord.



1, This equipment is recommended for installation in a garage,

2, use a longer drain tube if you don't want drainage water discharged on garage floor, or use a container to collect drainage water. (longer tube or container is not included)

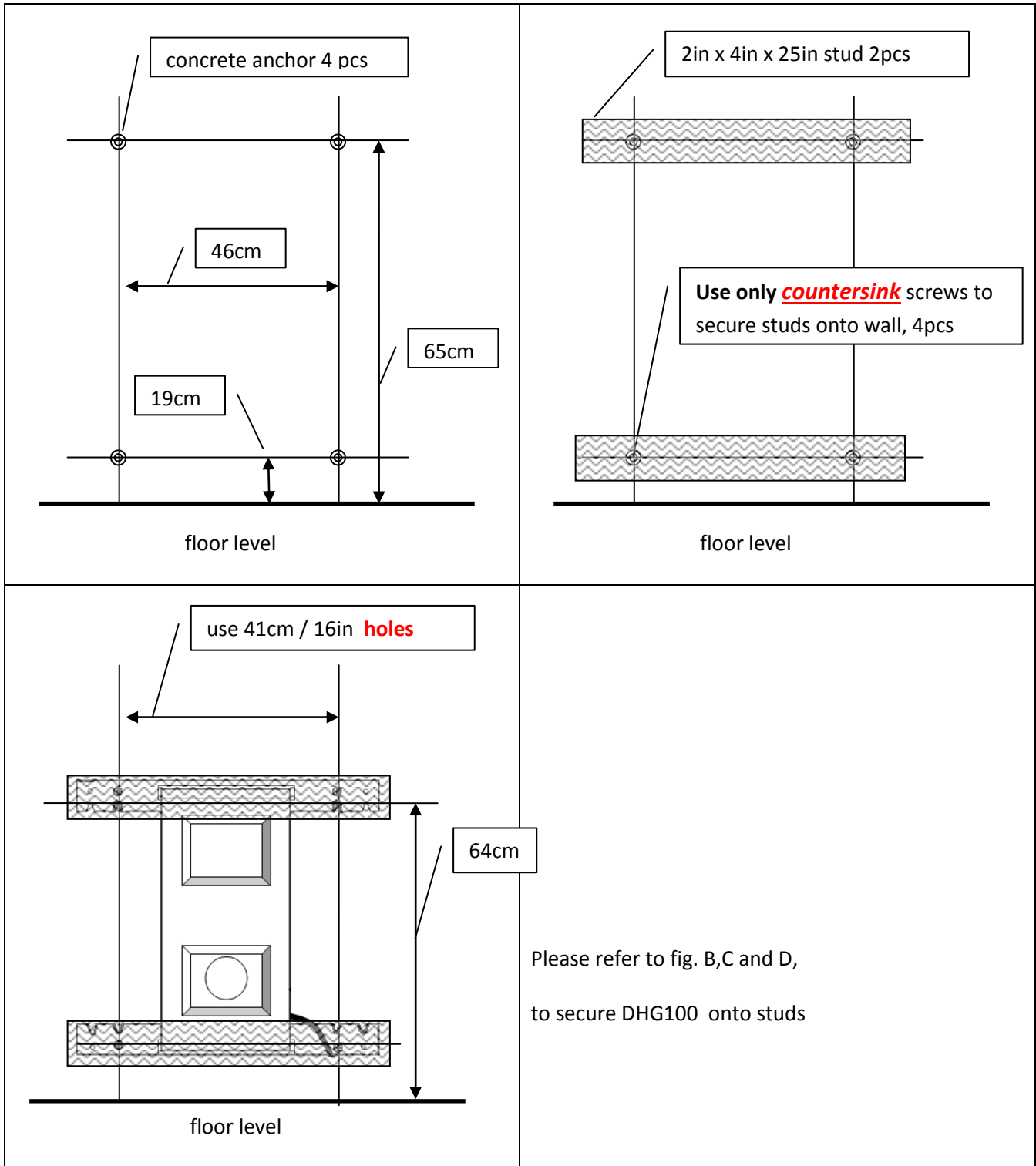
- 3, **DO NOT** use a power extension cord.
- 4, **Never** plug the power cord in if it is damaged or broken.

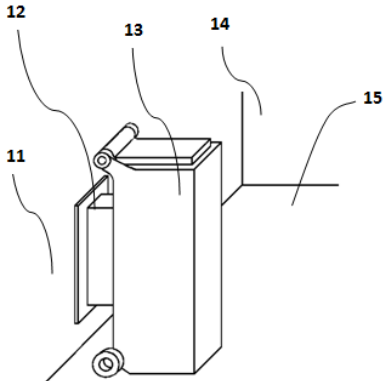




- 1, Use a container that is not bigger than 8cm (3 inch) in height,
- 2, Make sure the drain tube running down-ward all the way.

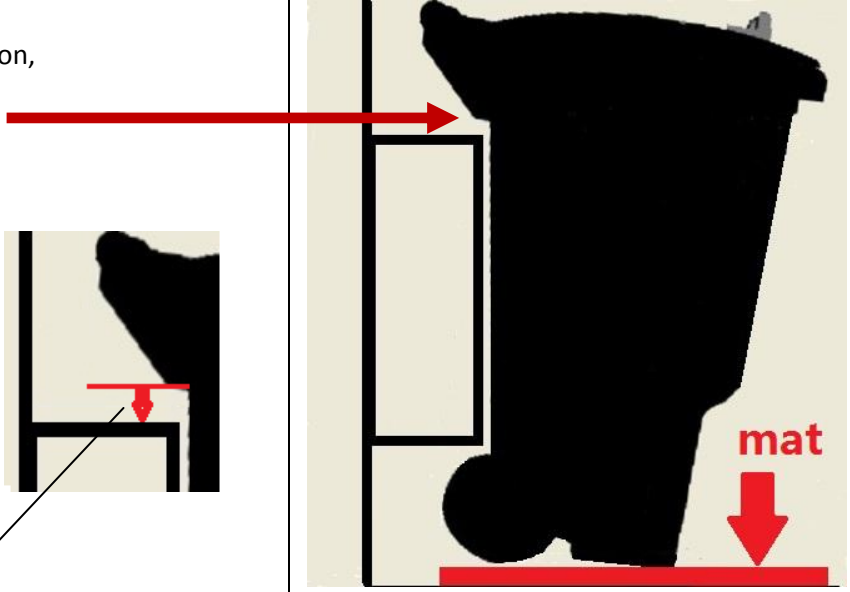
3, **Never drink** the drainage water!!

E, Installation **on concrete wall**: (accessories not included)



<p>A Canfresh illustration,</p>	<p>A Canfresh system installed and in operation in a garage</p>	<p>A Canfresh system installed and in operation</p>
 <p>Fig. A</p> <p>11, wall , 12, wall-mounted dehumidifier unit 13, garbage can , 14, wall, 15, floor</p>	 <p>Installed on studs with standard mounting kits.</p>	 <p>Installed on Polywood board without standard mounting kits.</p>

After Installation:
Place the garbage can in position,
Check this gap,
It has to be between 1 cm to 2.5 cm.



This gap is between 1 cm to 2.5 cm

mat